



SUNGROW INVERTER & BATTERY COMBO

POWER PACKED: THE ULTIMATE ALL-IN-ONE BATTERY SOLUTION

FEATURES

- Ideal for both retrofitting and new installations.
- Built-in EMS with advanced customization.
- Fast Charging or discharging, for higher self-consumption.
- Seamless backup mode for power outage protection.
- 24/7 live monitoring both online and with integrated display.



1300 765 272



darwin solar.com.au



sales@darwin solar.com.au

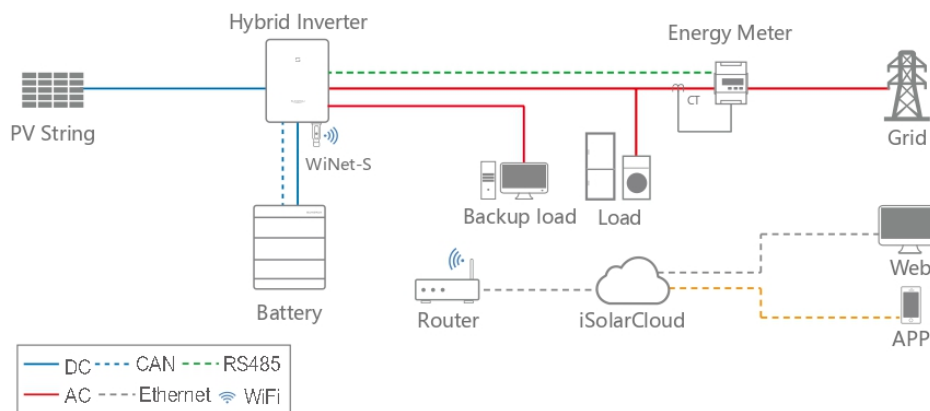


1/101 Coonawarra Road,
Winnellie, NT 0820

SUNGROW INVERTER & BATTERY COMBO

HOW IT WORKS

The Sungrow Inverter and Battery Combo is a highly versatile and reliable inverter designed for flexible applications in the realm of solar energy. Boasting an impressive 13.5A current input, it easily accommodates high-power PV modules and can be utilised in both standalone and retrofit scenarios. The system supports parallel connection with master-slave controlling, ensuring efficient power distribution and management.



ADVANTAGES

- Compatible with a wide range of high-power PV modules and supports parallel connections for flexible applications.
- Seamlessly switches to backup mode during power outages, with fast charging for continuous power supply.
- Enables green energy to electric vehicles, offers online monitoring, and optimizes self-consumption with built-in EMS.
- Simplified setup with unique push-in connectors and touch-free commissioning, saving time and effort.
- Suited for diverse solar energy applications in various settings, ensuring reliable performance.